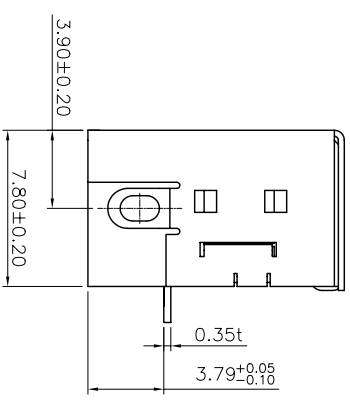
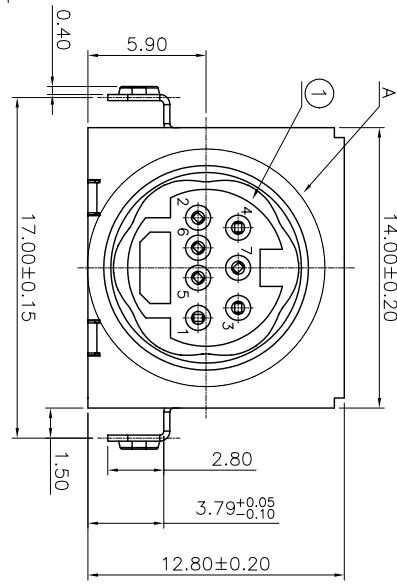
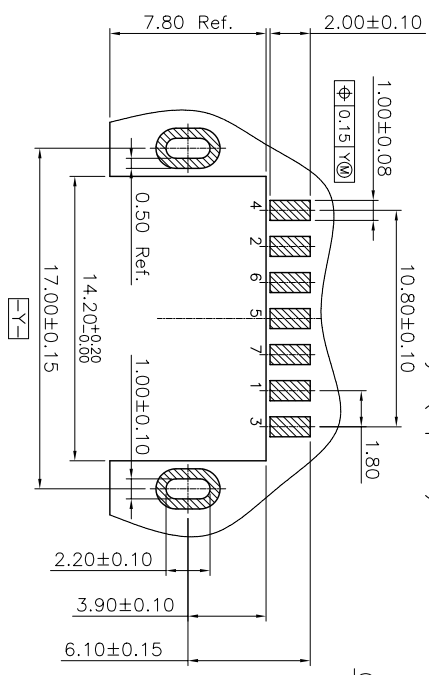


Recommended P.C.B Layout(Top Side)



NOTE(1):  
030006FB007□□04ZA

1. Selective plating
  - 'S1,-05u" Min. gold in contact area/  
100u" Min. Tin in solder area.
  - 'S2,-Gold flash in contact area/  
100u" Min. Tin in solder area.
  - 'S3,-10u" Min. gold in contact area/  
100u" Min. Tin in solder area.
  - 'S4,-15u" Min. gold in contact area/  
100u" Min. Tin in solder area.
  - 'S5,-30u" Min. gold in contact area/  
100u" Min. Tin in solder area.
  - 'S6,-50u" Min. gold in contact area/  
100u" Min. Tin in solder area.

4	Shell	BRASS	Nickel Plated
3	Terminal	Pho.Bronze	Gold/Tin Plated
2	Housing	High Temp Plastic	UL 94V-0
1	NO. DESCRIPTION	MATERIAL	COLOR
			REMARK

**SUYIN**  
CONNECTOR

CUSTOMER TITLE: MINI DIM S.M.D TYPE  
COPY

PART NO. 030006FB007SX04ZA

PART NO. (OLD)

DRAWING NO. D 030006FB007SX04ZA

SCALE 4:1 UNIT mm A4

ECN (DCN) NO.	REV	DATE	DESCRIPTION	CHANGE APPRO.	GENERAL TOLERANCE UNLESS OTHERWISE NOTED	APPRO.
	0		NEW			